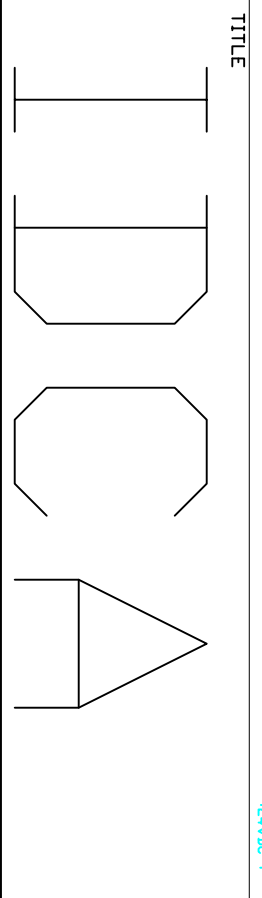
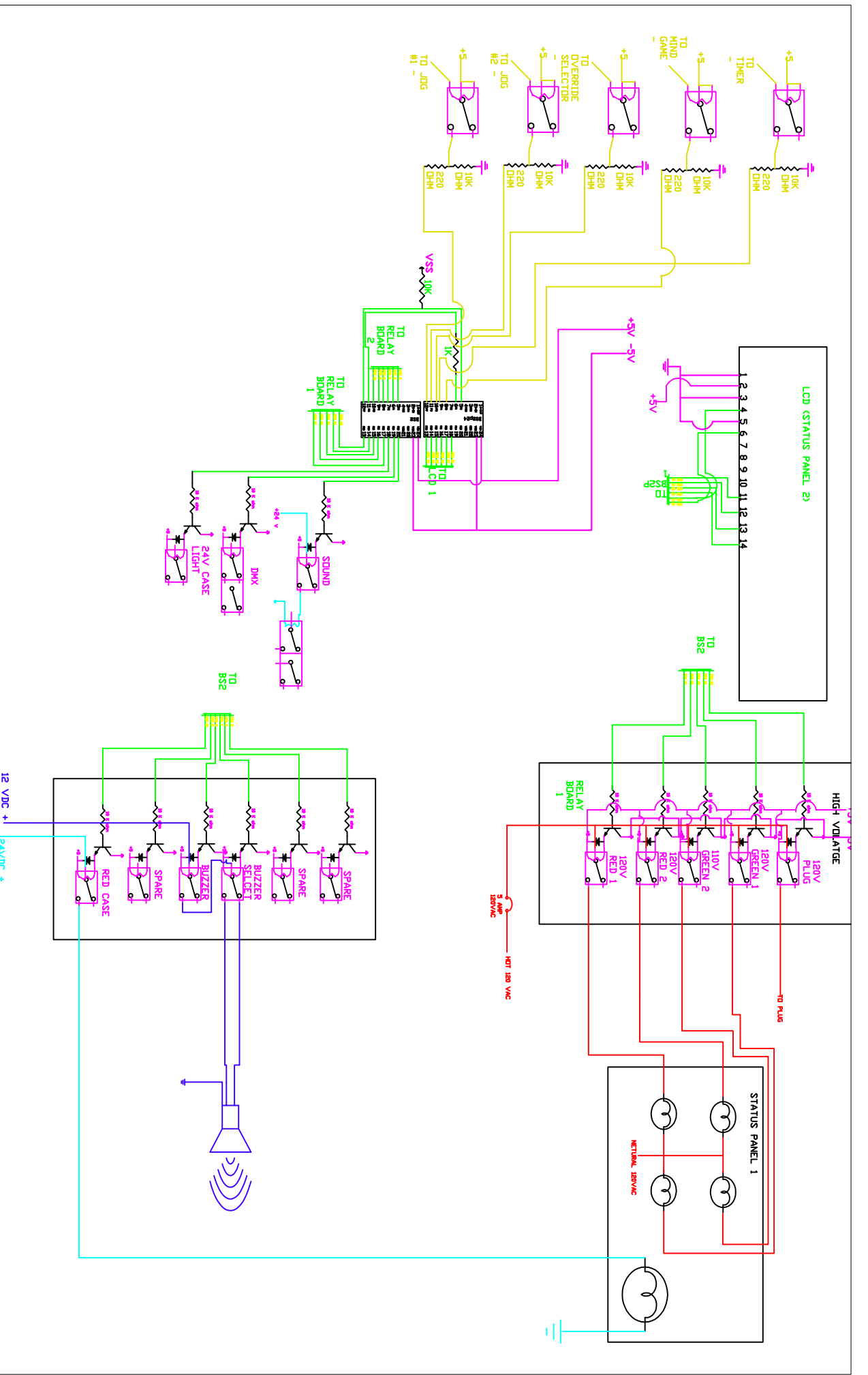


DRAWN by
J. ARCHIP
 PROJECT START DATE
5/01/06
 PLOT DATE
3/7/2007
7:49 AM



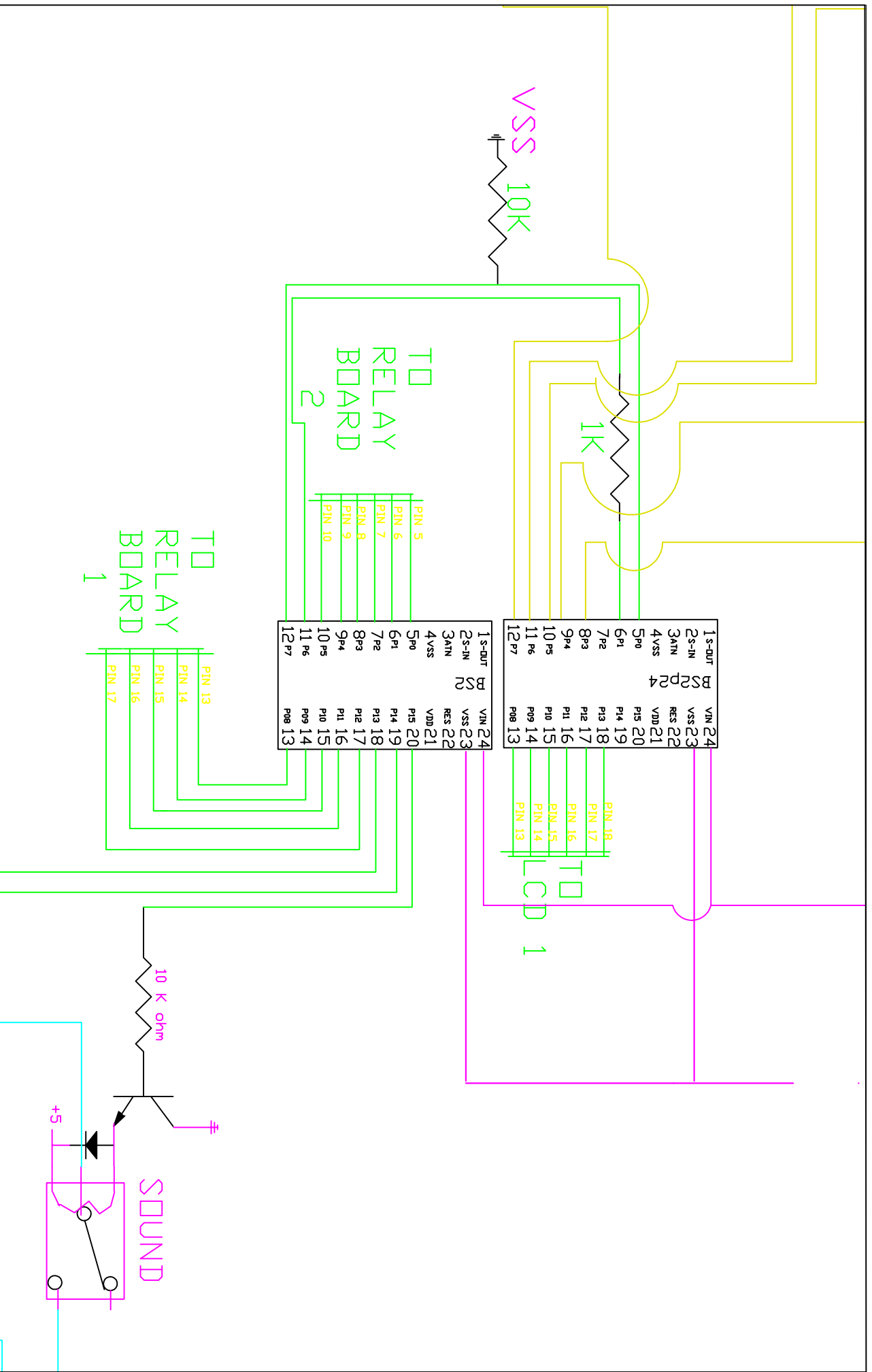
REVISION
6

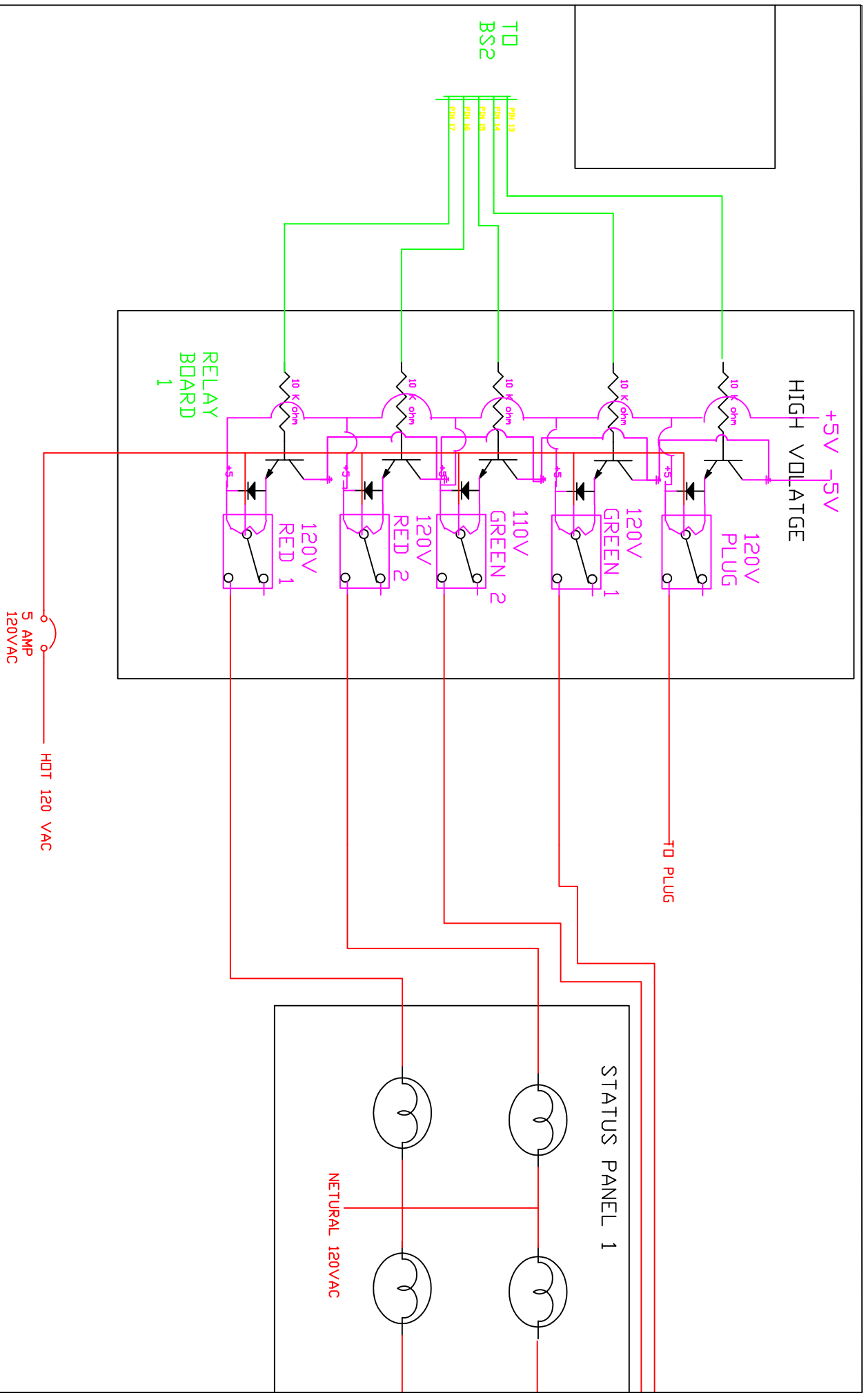


Drawn by J. ARCHHIP
 PROJECT START DATE 5/01/06
 PLOT DATE 3/7/2007
 7:50 AM

TITLE
 IDCA BS2 IC HOOK UP

REVISION 6

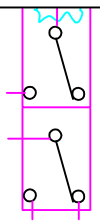




Drawn by
J. ARCHIP
 PROJECT START DATE
5/01/06
 PLOT DATE
3/7/2007
7:50 AM

TITLE
IDCA RELAY BOARD 1
CLOSEUP

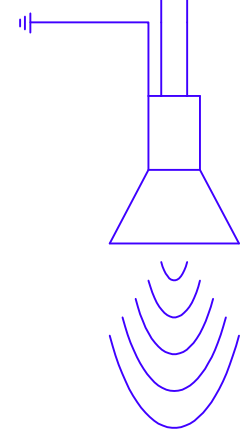
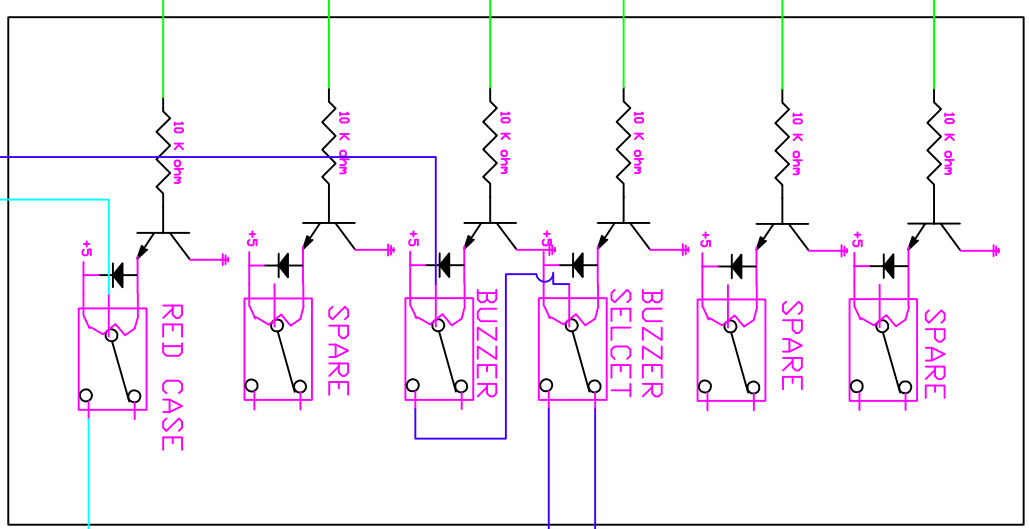
REVISION
6



ID
BS2

PN 5
PN 6
PN 7
PN 8
PN 9
PN 10

12 VDC +
24VDC +



Drawn by ARCHHIP

PROJECT START DATE 5/01/06

PLD DATE 3/7/2007

7:50 AM

TITLE

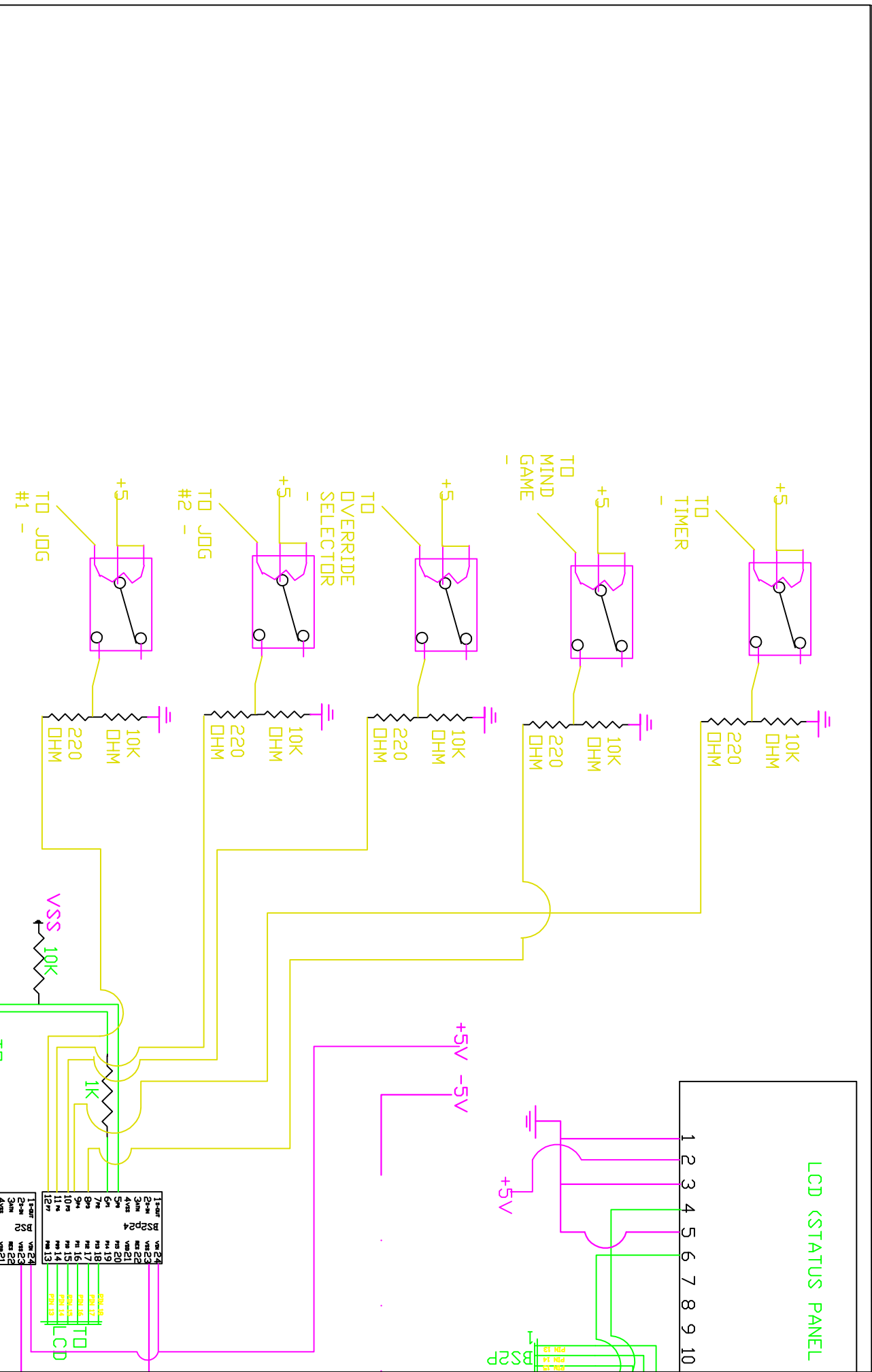
IDCA RELAY BOARD 2
CLOSEUP

REVISION 6

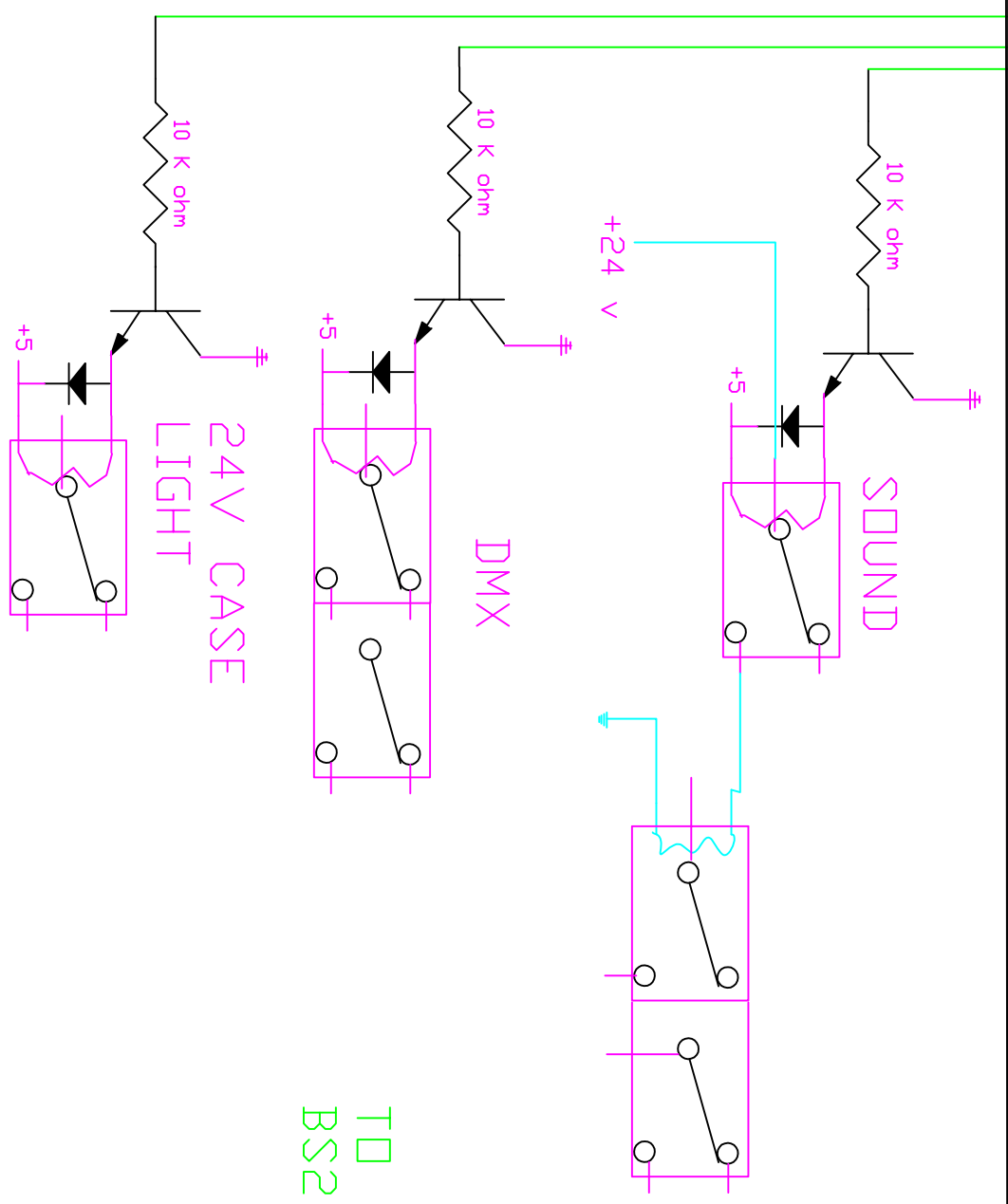
Drawn by
J. ARCHIP
 PROJECT START DATE
5/01/06
 PLOT DATE
3/7/2007
7:50 AM

TITLE
IDCA INPUT RELAYS
CLOSEUP

REVISION
6



PIN 13
PIN 14
PIN 15
PIN 16
PIN 17



PIN 5
PIN 6
PIN 7
PIN 8
PIN 9
PIN 10

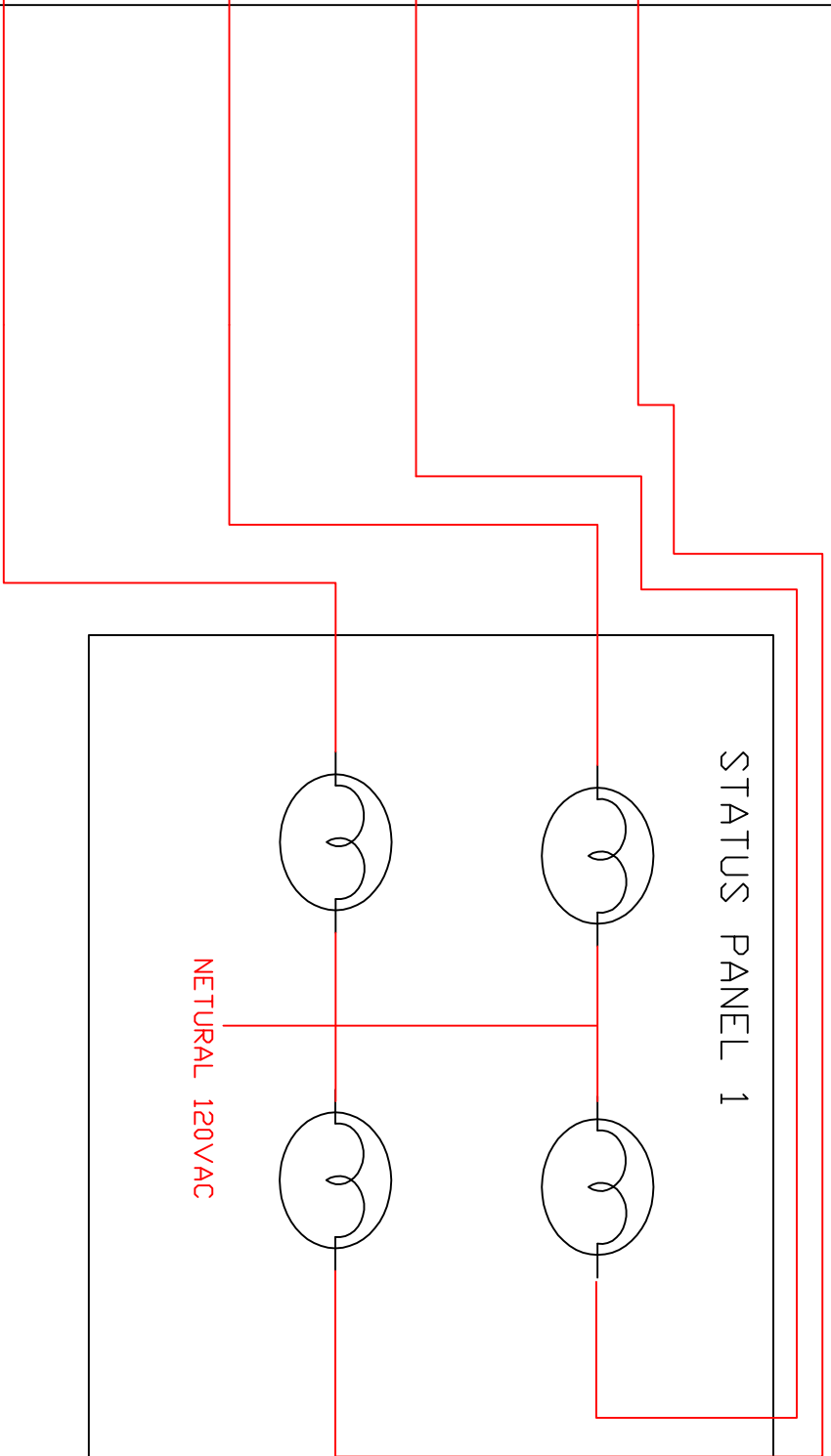
TD
BS2

Drawn by
J. ARCHHIP
PROJECT START DATE
5/01/06
PLOT DATE
3/7/2007
7:50 AM

TITLE
IDCA SOUND DMX
RELAYS CLOSEUP

REVISION
6

TO PLUG



STATUS PANEL 1

NETURAL 120VAC

Drawn by

J. ARCHHIP

PROJECT START DATE

5/01/06

PLOT DATE

3/7/2007

7:50 AM

TITLE

IDCA STATUS PANEL

REVISION

6

LCD (STATUS PANEL 2)



TO
BS2



+5V -5V



Drawn by

J. ARCHIP

PROJECT START DATE

5/01/06

PLUT DATE

3/7/2007

7:50 AM

TITLE

IDCA LCD CLOSEUP

REVISION

6

